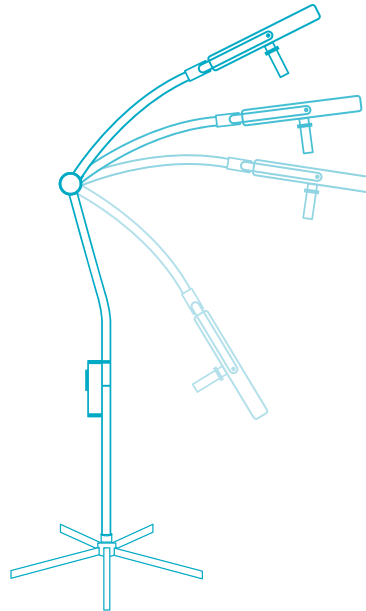




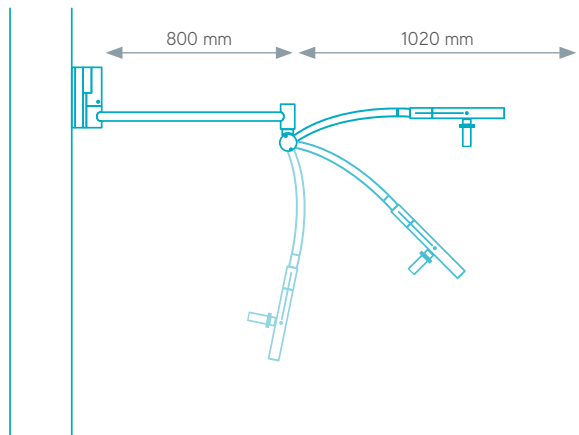
NOVA . LIGHT  
OPERATING LIGHTS  
450 SERIES

N E X O R

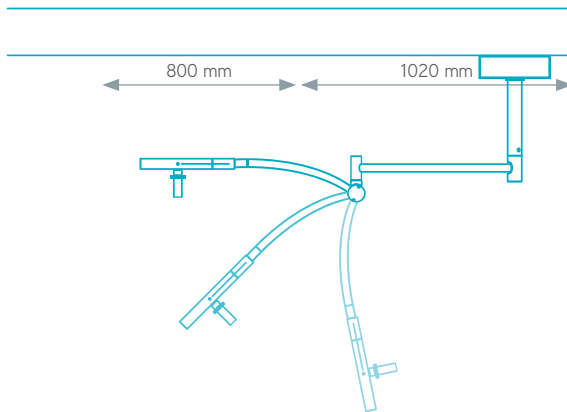
[nexormedical.com](http://nexormedical.com)



WALL VERSION



CEILING VERSION



TECHNICAL DATA	NOVA.light 450
Electronic dimming (Continued)	70 - 140 kLux
Light intensity in 1m distance (lx)	140.000
Color temperature (Kelvin)	4.900
Light field (mm)	140 / 250
Color rendering index Ra	≥ 96
Red rendering index R9	≥ 96
Degree of protection	IP 20
Weight of light head (kg)	8
Dimensions: Diameter	420
Quantity of LED's	36
Lifetime of LED light source (h)	50.000
Increase of temperature at head height	< 1° C
Power consumption (Watt)	32
Voltage range	100-230 VAC 50Hz / 60Hz
Certification	CE IEC 60601-2-41
Sterilized Handle	Yes available
Max. humidity. work / storage	5 - 95%

Tolerance ±10%; technical specifications are subject to change